

wilkinsonstar.com



TIG Series

DC MMA / TIG Welding machines

Order code TIG180 (JT-180 / TIG200 (JT-200)

TIG180 (JT-180DV / TIG200 (JT-200DV)



OPERATOR MANUAL

Your new product

Thank you for selecting this Jasic Technology, Wilkinson Star product.

This product manual has been designed to ensure that you get the most from your new product. Please ensure that you are fully conversant with the information provided paying particular attention to the safety precautions. The information will help protect yourself and others against the potential hazards that you may come across.

Please ensure that you carry out daily and periodic maintenance checks to ensure years of reliable and trouble free operation.

Wilkinson Star Limited are a leading supplier of equipment in the UK and our products are supported by our extensive service network. Call your distributor in the unlikely event of a problem occurring. Please record below the details from your product as these will be required for warranty purposes and to ensure you get the correct information should you require assistance or spare parts.

Date purchased _____

From where _____

Serial Number _____

(The serial number will normally be located on the equipment data plate on the underside of the machine or on the rear panel)

Please note products are subject to continual development and may be subject to change without notice

1

Safety Precautions



These general safety norms cover both arc welding machines and plasma cutting machines unless otherwise noted.

The equipment must only be used for the purpose it was designed for. Using it in any other way could result in damage or injury and in breach of the safety rules.

Only suitably trained and competent persons should use the equipment. Operators should respect the safety of other persons.



Prevention against electric shock

The equipment should be installed by a qualified person and in accordance with current standards in operation. It is the users responsibility to ensure that the equipment is connected to a suitable power supply. Consult with your utility supplier if required

If earth grounding of the work piece is required, ground it directly with a separate cable.

Do not use the equipment with the covers removed.

Do not touch live electrical parts or parts which are electrically charged.

Turn off all equipment when not in use.

Cables (both primary supply and welding) should be regularly checked for damage and overheating. Do not use worn, damaged, under sized, or poorly jointed cables.

Ensure that you wear the correct protective clothing, gloves, head and eye protection.

Insulate yourself from work and ground using dry insulating mats or covers big enough to prevent any physical contact with the work ground.

Never touch the electrode if you are in contact with the work ground, or another electrode from a different machine.

Do not wrap cables over your body.

Ensure that you take additional safety precautions when you are welding in electrically hazardous conditions such as damp environments, wearing wet clothing, and metal structures. Try to avoid welding in cramped or restricted positions.

Ensure that the equipment is well maintained. Repair or replace damaged or defective parts immediately. Carry out any regular maintenance in accordance with the manufacturers instructions.



Safety against fumes and welding gases

Locate the equipment in a well-ventilated position.

Keep your head out of the fumes. Do not breathe the fumes.

Ensure the welding zone is in a well-ventilated area. If this is not possible provision should be made for suitable fume extraction.

If ventilation is poor, wear an approved respirator.

Read and understand the Material Safety Data Sheets (MSDS's) and the manufacturer's instructions for metals, consumable, coatings, cleaners, and de-greasers.

Do not weld in locations near any de-greasing, cleaning, or spraying operations. Be aware that heat and rays of the arc can react with vapours to form highly toxic and irritating gases.

Do not weld on coated metals, unless the coating is removed from the weld area, the area is well ventilated, and while wearing an air-supplied respirator. The coatings on many metals can give off toxic fumes if welded.



Prevention against burns and radiation

Arc rays from the welding process produce intense, visible and invisible (ultraviolet and infrared) rays that can burn eyes and skin.

Wear an approved welding helmet fitted with a proper shade of filter lens to protect your face and eyes when welding or watching

Wear approved safety glasses with side shields under your helmet.

Never use broken or faulty welding helmets.

Always ensure there are adequate protective screens or barriers to protect others from flash, glare and sparks from the welding area. Ensure that there are adequate warnings that welding or cutting is taking place.

Wear suitable protective flame resistant clothing.

The sparks and spatter from welding, hot work pieces, and hot equipment can cause fires and burns

Welding on closed containers, such as tanks, drums, or pipes, can cause them to explode.

Accidental contact of electrode to metal objects can cause arcs, explosion, overheating, or fire.

Check and be sure the area is safe and clear of inflammable material before carrying out any welding.



Protection against noise

Some welding and cutting operations may produce noise.

Wear safety ear protection to protect your hearing.



Protection from moving parts

When the machine is in operation keep away from moving parts such as motors and fans. Moving parts, such as the fan, may cut fingers and hands and snag garments.

Protections and coverings may be removed for maintenance and controls only by qualified personnel, after first disconnecting the power supply cable.

Replace the coverings and protections and close all doors when the intervention is finished, and before starting the equipment.

Take care to avoid getting fingers trapped when loading and feeding wire during set up and operation.

When feeding wire be careful to avoid pointing it at other people or toward your body.

Always ensure machine covers and protective devices are in operation.



Precautions against fire and explosion

Avoid causing fires due to sparks and hot waste or molten metal

Ensure that appropriate fire safety devices are available near the cutting / welding area.

Remove all flammable and combustible materials from the cutting / welding zone and surrounding areas

Do not cut/weld fuel and lubricant containers, even if empty. These must be carefully cleaned before they can be cut/welded.

Always allow the cut/welded material to cool before touching it or placing it in contact with combustible or flammable material.

Do not work in atmospheres with high concentrations of combustible fumes, flammable gases and dust.

Always check the work area half an hour after cutting to make sure that no fires have begun.



Risks due to magnetic fields

The magnetic fields created by high currents may affect the operation of pacemakers or electronically controlled medical equipment.

Wearers of vital electronic equipment should consult their physician before beginning any arc welding, cutting, gouging or spot welding operations.

Do not go near welding equipment with any sensitive electronic equipment as the magnetic fields may cause damage.

RF Declaration

Equipment that complies with directive 2004/108/EC concerning electromagnetic compatibility (EMC) and the technical requirements of EN60974-10 is designed for use in industrial buildings and not those for domestic use where electricity is provided via the low voltage public distribution system. Difficulties may arise in assuring class A electromagnetic compatibility for systems installed in domestic locations due to conducted and radiated emissions.

In the case of electromagnetic problems, it is the responsibility of the user to resolve the situation. It may be necessary to shield the equipment and fit suitable filters on the mains supply.

LF Declaration

Consult the data plate on the equipment for the power supply requirements.

Due to the elevated absorbance of the primary current from the power supply network, high power systems affect the quality of power provided by the network. Consequently, connection restrictions or maximum impedance requirements permitted by the network at the public network connection point must be applied to these systems.

In this case the installer or the user is responsible for ensuring the equipment can be connected, consulting the electricity provider if necessary.



Materials and their disposal



The equipment is manufactured with materials, which do not contain any toxic or poisonous materials dangerous to the operator.

When the equipment is scrapped, it should be dismantled separating components according to the type of materials.

Do not dispose of the equipment with normal waste. The European Directive 2002/96/EC on Waste Electrical and Electronic Equipment states the electrical equipment that has reached its end of life must be collected separately and returned to an environmentally compatible recycling facility.



Handling of Compressed gas cylinders and regulators

All cylinders and pressure regulators used in welding operations should be handled with care.

Never allow the electrode, electrode holder or any other electrically "hot" parts to touch a cylinder.

Keep your head and face away from the cylinder valve outlet when opening the cylinder valve.

Always secure the cylinder safely

Never deface or alter any cylinder

2

Product Overview

The unique electronic structure and air channel design in this series of machines provides efficient cooling of the power devices as well as improving the duty cycles of the machines. The design of the forced air-cooling system channel can effectively prevent the power devices and control circuits from being damaged by the dust introduced into the machine by the fan. The reliability of the machine is greatly improved as a result.

The streamline design means front and rear panels are naturally integrated via large-radian transition. The front and rear panels of the machine and the handle are coated with rubber oil*, giving the machine a very tactile and comfortable grip with an excellent appearance.

Note: *Designs may vary due to customer specific requirements.

Product functions

- Hot start arc ignition function: makes the arc ignition in TIG under low current easier and more reliable.
- 2T/4T function.
- Downslope and post-flow gas function
- Self-adaptive arc force technology improves the performance of the machine when using long-cable welding.
- Excellent HF arc ignition: High reliability arc striking.
- Advanced arc ignition by lift arc: TIG welding without HF arc ignition circuit.

Product performance characteristics

- Advanced IGBT inverter technology
- Inverting frequency of 33~43 kHz greatly reduces the size and weight of the welder.
- Great reduction in magnetic and resistance loss enhances the welding efficiency and energy saving effect.
- Working frequency is beyond the audio range, which almost eliminates noise pollution.



- Industry leading control system
- Advanced control technology meets the various welding applications and provides excellent welding performance.
- It can be used with a wide range of welding electrodes.
- Easy arc starting, less spatter, stable current and good weld bead shaping.
- Modern high tech design
- Streamline design of front and rear panels.
- Front and rear panels made of high-intensity plastics suitable for working in severe conditions.
- Excellent insulating property.
- Water-resistant, antistatic and anticorrosion design.
- Digital amp and voltmeter

3

Technical data

Technical Parameter	Unit	Model					
		TIG180 (JT-180)	TIG 200 (JT-200)	TIG180DV (JT-180DV)		TIG 200DV (JT-200DV)	
Rated input voltage	V	AC230V±15% 50/60HZ	AC230V±15% 50/60HZ	AC115V±15% 50/60HZ	AC230V±15% 50/60HZ	AC115V±15% 50/60HZ	AC230V±15% 50/60HZ
Rated input power	MMA	7.1	8.2	4.1	7.1	5	8.2
	TIG	5.2	6	2.1	5.2	4	6
Current range	MMA	10~160	10~180	10~100	10~160	10~120	10~180
	TIG	10~180	10~200	10~120	10~180	10~150	10~200
Rated duty cycle*	%	35					
No-load voltage	MMA	60					
	TIG	65					
Downslope time	s	0~10					
Post-flow time	s	0~15					
Overall efficiency	%	85					
Housing protection grade	IP	21S					
Power factor	cosφ	0.7					
Insulation grade		F					
Arc ignition mode		HF arc ignition					
Standard		IEC60974-1					
Noise	db	< 70					
Size	without handle	365*135*235					
	with handle	365*135*277					
Weight	kg	5.94	6.125	5.94		6.125	

Tested at the environment temperature of 40° C

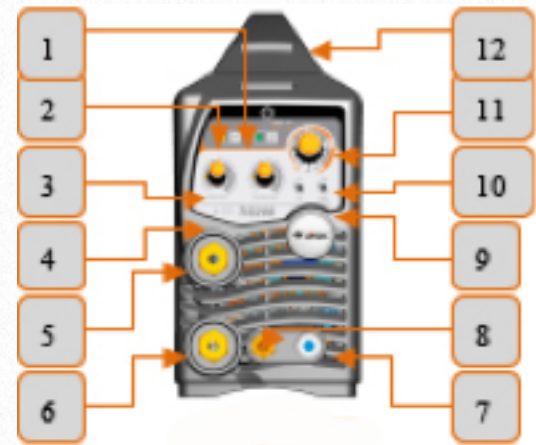
Product design may vary due to customer requirements.

4

Controls

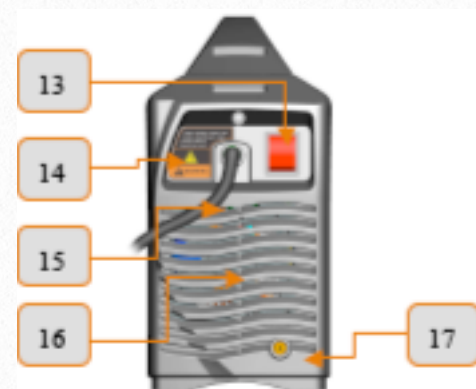
Front view

1. Overheating LED to indicate overheating.
2. Power LED to indicate the power is on.
3. Downslope time control: 1~10s.
4. Post-flow time control: 1~10s.
5. "+" output terminal: To connect the work clamp.
6. "-" output terminal: To connect the TIG torch.
7. Torch switch plug connection.
8. Gas terminal: To connect the gas hose of the TIG torch.
9. 2T/4T switch: When the toggle switch is switched to 4T, self-lock function is available.
10. MMA/TIG selector switch.
11. Welding current adjustment knob.
12. Handle



Rear view

13. Power switch
14. Warning label
15. Input cable gland
16. Cooling fan
17. Gas inlet



5

Installation

Unpacking

Check the packaging for any signs of damage.

Carefully remove the machine and retain the packaging until the installation is complete.

Location

The machine should be located in a suitable position and environment. Care should be taken to avoid moisture, dust, steam, oil or corrosive gases

Place on a secure level surface and ensure that there is adequate clearance around the machine to ensure natural airflow.

Input connection

Before connecting the machine you should ensure that the correct supply is available. Details of the machine requirements can be found on the data plate of the machine or in the technical parameters shown in the manual.

The equipment should be connected by a suitably qualified competent person. Always ensure the equipment has a proper grounding.

Never connect the machine to the mains supply with the panels removed.

Output connections

Electrode polarity

In general when using manual arc welding electrodes the electrode holder is connected to the positive terminal and the work return to the negative terminal. Always consult the electrode manufacturer's data sheet if you have any doubts.

When using the machine for TIG welding the TIG torch should be connected to the negative terminal and the work return to the positive terminal

MMA welding

Insert the cable plug with electrode holder into the “+” socket on the front panel of the welding machine, and tighten it clockwise.

Insert the cable plug of the work return lead into the “-”ve socket on the front panel of the welding machine, and tighten it clockwise



TIG Welding

Insert the cable plug with the work clamp into the “+” socket on the front panel of the welding machine, and tighten it clockwise.

Insert the cables plug of the TIG torch into the “-” socket on the front panel of the machine and tighten clockwise.

Connect the gas hose to the regulator / flow meter located on the shield gas cylinder and connect the other end to the machine.



Operation

Before starting any welding activity ensure that you have suitable eye protection and protective clothing. Also take the necessary steps to protect any persons within the area.

MMA

After connecting the welding leads as detailed you will need to switch the power switch on the back panel to “ON”

Select MMA by switching to the MMA welding mode. There is voltage output at both output terminals.

Set the amperage on the machine suitable for the electrode being used. Please see below a guide to amperages required. Ensure you check that you have the electrode polarity correct.

Electrode Diameter (mm)	Recommended Welding Current (A)
1.0	20~60
1.6	44~84
2.0	60~100
2.5	80~120
3.2	108~148
4.0	140~180
5.0	180~220
6.0	220~260

TIG

Connect the TIG torch leads as detailed above. Ensure that a suitable inert gas supply is connected.

Switch the MMA/TIG switch to TIG mode.

Open the gas valve of the cylinder, and adjust the gas regulator to obtain the desired flow rate.

Switch the power switch on the back panel to “ON”, the machine is started with the power LED on and the fan working.

Press the torch trigger briefly, the solenoid valve will operate and gas will flow.

Adjust the welding current according to the thickness of the work piece to be welded. For a guide to welding parameters, please refer to the tables below.

Hold the torch 2~4mm away from the work piece, and then press the torch trigger. After arc is ignited, the HF discharge will cease, the current will maintain the preset value, and welding can be carried out.

After releasing the torch trigger, the current begins to down slope automatically to the minimum value. Then, the arc

stops with gas kept flowing for the post-flow time, and welding ends.

Adjust the downslope time potentiometer to change the time according to the welding process requirements.

If the torch trigger is pressed again during the downslope period, the welding current will immediately rise to the preset value.

Operation of 2T/4T switch

2T:

Press the torch trigger, gas valve opens, and HF arc ignition starts; Keep the torch 2~4mm away from the work piece to ignite the arc. When the arc is established the HF stops, and current rises to the preset value; Release the torch trigger, current decreases to the minimum value, and then arc stops; Gas keeps flowing for the post-flow time, and welding ends.

4T:

Press the torch trigger, gas valve opens, and HF arc ignition starts; Keep the torch 2~4mm away from the work piece to ignite the arc. When the arc is established the HF stops, and current rises to the preset value; Release the torch trigger, and welding continues at the preset current level. Press the torch trigger again and release it, current begins to decrease to the minimum value, and then arc stops; Gas keeps flowing for the post-flow time, and welding ends. For either the above modes, the HF discharge will remain on in the case that the torch trigger is pressed but arc is not ignited successfully. After arc is ignited, HF discharge will end automatically. Whenever the arc is broken due to external causes, HF discharge will restart automatically in order to reignite the arc, and the HF discharge will not end until either arc is ignited successfully or the torch trigger is released.

Upslope time control

This function can be added upon customers' requirements. It is used to adjust the current increasing speed when the current rises from the minimum value to the preset value after arc is ignited successfully. If this function is not added, the upslope time is 0.1s fixed.

TIG Tips

The welding current reference for different electrode diameters				
Electrode diameter /mm	1.6	2.0	2.5	3.2
Welding current /A	25-40	40-60	50-80	100-130

Electrode type

Type	Mode	Colour
Thoriated 2%	DC welding of steel, stainless steel and copper	Red
Ceriated	DC welding of steel, stainless steel and copper	Grey
Lanthanated	DC welding of steel, stainless steel and copper	Black

The corresponding relationship between gas nozzle diameter and electrode diameter

Gas nozzle diameter/mm	Electrode diameter/mm
6.4	0.5
8	1.0
9.5	1.6 or 2.4
11.1	3.2

TIG of stainless steel (single run welding)

Work piece thickness mm	Joint form	Tungsten electrode diameter/mm	Welding wire diameter/mm	Argon gas flow rate (L per-min)	Welding current	Welding speed cm·min-1
0.8	Butt joint	1.0	1.6	5	20-50	66
1.0	Butt joint	1.6	1.6	5	50-80	56
1.5	Butt joint	1.6	1.6	7	65-105	30
1.5	Corner joint	1.6	1.6	7	75-125	25
2.4	Butt joint	1.6	2.4	7	85-125	30
2.4	Corner joint	1.6	2.4	7	95-135	25
3.2	Butt joint	1.6	2.4	7	100-135	30
3.2	Corner joint	1.6	2.4	7	115-145	25
4.8	Butt joint	2.4	3.2	8	150-225	25
4.8	Corner joint	3.2	3.2	9	175-250	20

For welder training please visit our Academy website at

www.wilkinson-welding-academy.com

6

Maintenance and troubleshooting

The following operation requires sufficient professional knowledge on electric aspects and comprehensive safety knowledge. Make sure the input cable of the machine is disconnected from the electricity supply and wait for 5 minutes before removing the machine covers.

In order to guarantee that the arc welding machine works efficiently and in safety, it must be maintained regularly. Operators should understand the maintenance methods and means of arc welding machine operation. This guide should enable customers to carry on simple examination and safeguarding by oneself, try to reduce the fault rate and repair times of the arc welding machine, so as to lengthen service life of arc welding machine

Period	Maintenance item
Daily examination	Carry out a full visual inspection. Check for any damage to the machine, leads, cables and connections. Replace where necessary. Switch on the machine and check for any warning Led's and general operation
Monthly examination	Using the dry compressed air to clean the inside of arc welding machine. Especially check for build up of dust / debris on intake grills, main voltage transformer, inductance, IGBT module, the fast recover diode and PCB, etc. Take care when blowing electronic components and do not dislodge any wiring connections Check the security of output connections and plugs. Replace if signs of overheating.
Yearly examination	Carry out an annual service. Check earth continuity and insulation resistance of the machine at the relevant points. PLEASE NOTE THIS WORK SHOULD BE CARRIED OUT BY A TRAINED COMPETENT PERSON.

Troubleshooting

Before arc welding machines are dispatched from the factory, they have already been checked thoroughly. The machine should not be tampered with or altered.

Maintenance must be carried out carefully. If any wire becomes loose or is misplaced, it maybe potential danger to user!

Only professional maintenance personnel should repair the machine!

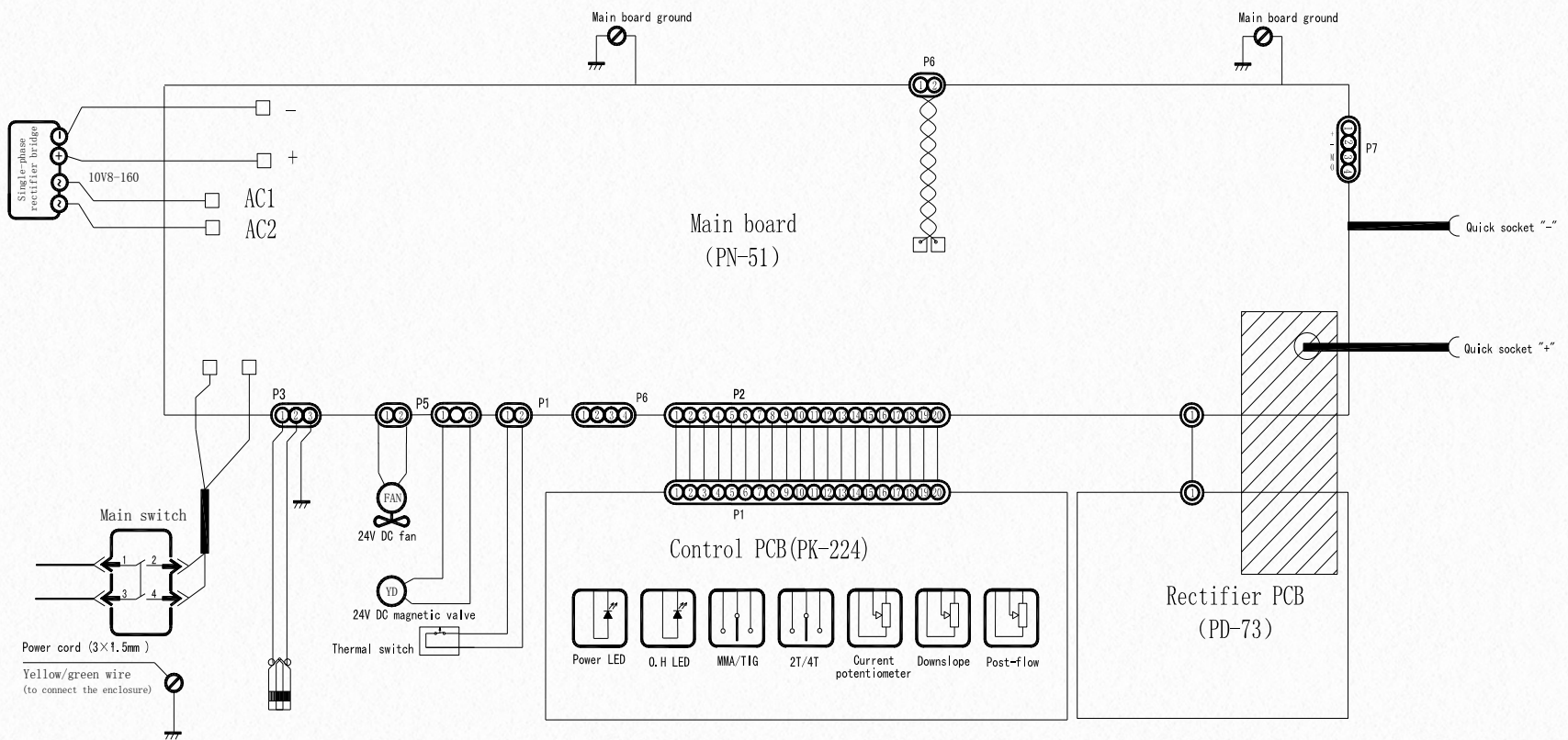
Ensure the power is disconnected before working on the machine. Always wait 5 minutes after power switch off before opening the case.

Malfunction symptom	Causes and Solutions
Turn on the machine, the power LED is off, the fan doesn't work, and no welding output.	Check if the power switch is closed. No input power.
Turn on the machine, the fan works, but the output current is unstable and can't be controlled by potentiometer when welding.	The current potentiometer fails. Replace it. Check if any loose contact exists inside the machine. If any, reconnect.
Turn on the machine, the power LED is on, the fan works, but no welding output.	Check if any loose contact exists inside the machine. Open circuit or loose contact occurs at the joint of output terminal. The overheating LED is on. The machine is under over-heating protection status. It can recover automatically after the welding machine is cooled. Check if the thermal switch is ok. Replace it if damaged. Check if the thermal switch is loosely connected, and reconnect it if necessary.
The electrode holder becomes very hot.	The rated current of the electrode holder is smaller than its actual working current. Replace it with a higher rated current capacity.
Excessive spatter in MMA welding.	The output polarity connection is incorrect. Exchange the polarity.

Symptom	Cause	Solution
Difficult to ignite the arc	The arc ignition current is too low or the arc ignition time is too short.	Increase the arc ignition current or prolong the arc starting time.
No arc can be started	Phase failure of the mains power supply or the mains supply cable is not connected.	Solve the phase failure problem or reconnect the mains supply cable.
Electrode sticking	The arc force current is too low.	Increase the arc force current
The fan does not work or it works abnormally.	The mains power supply or the mains supply cable is not connected.	Reconnect the mains supply cable.
	Phase failure	Solve the phase failure problem.
	The mains voltage is too low.	Welding can be carried out after the mains voltage recovers.
The no-load voltage is "0", and the under voltage LED is on.	The mains voltage is too low.	Welding can be carried out after the mains voltage recovers.
	Auxiliary power fails.	Replace the fault circuit board of the auxiliary power.
The no-load voltage is "0", and the overheating LED is on.	Over heating protection	It will recover automatically after the welding machine is cooled.
The no-load voltage is "0", and the over current LED is on.	Over current or damage of power parts	Restart the machine. If over current problem still exists, contact the service centre of your distributor
The electrode holder becomes very hot.	The rated current of the electrode holder is lower than its actual working current.	Replace it with a higher rated current holder.
Other malfunction		Contact the service centre of your distributor.

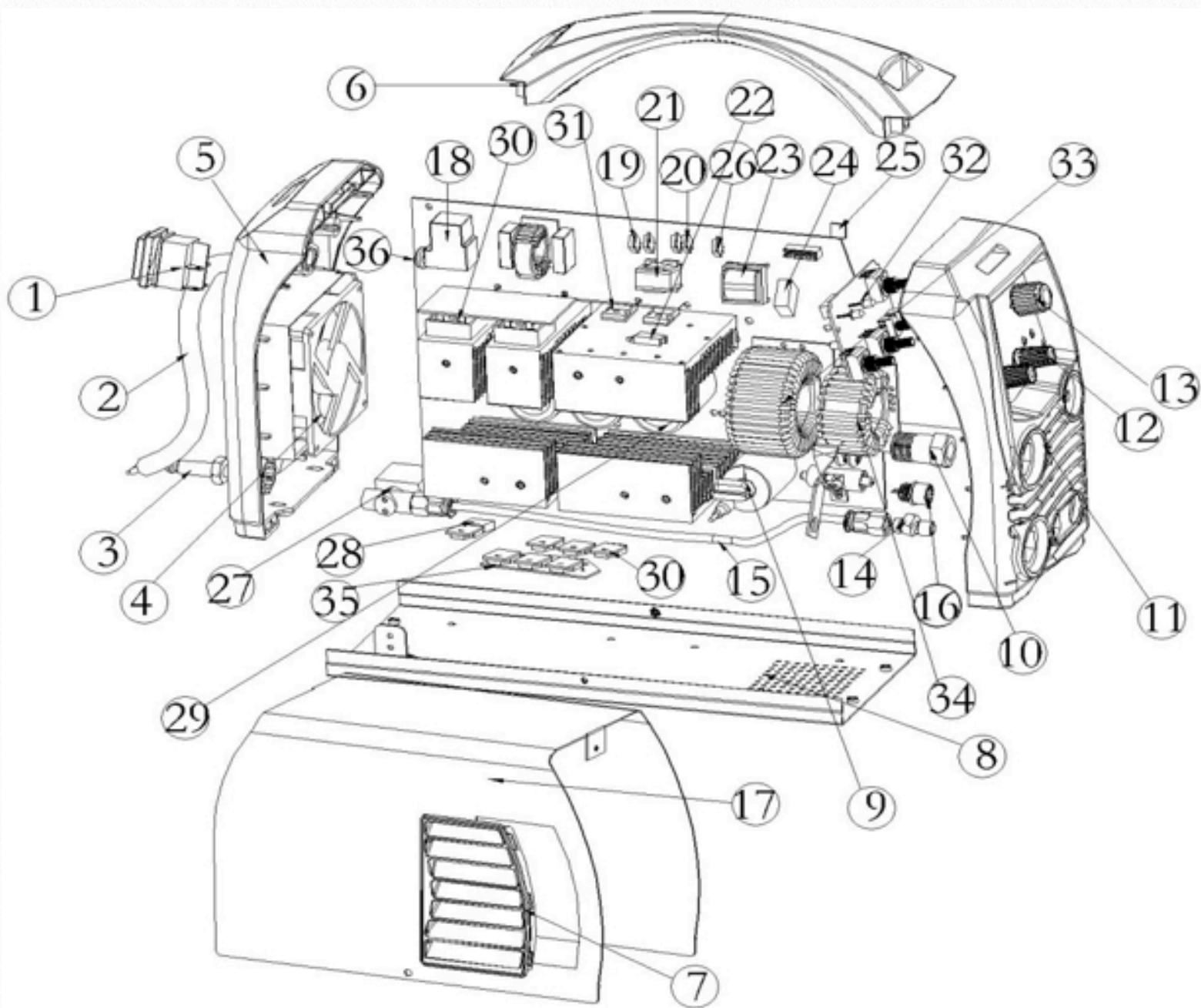
7

Electrical schematic



8

Parts list



No.	Part no	Description	No.	Part no	Description
1	10004949	Power switch	22	10041436	Thermal Switch
2	10041432	Power line	23	10037134	Switching mode power supply transformer
3	10042342	Connector for input gas	24	10006477	12V Electric Relay
4	10044817	TIG180/TIG180 Dual Voltage Fan	25	10037146	TOP266KG
	10044009	TIG200 Fan	26	10006673	KA7915
5	10043460	Back Panel	27	10040667	Solenoid valve
6	10043476	Handle	28	10037078	Pin insulation cover
7	10043689	Louver	29	10005833	TIG180 Electrolytic capacitor
8	10042320	Bottom Panel		10028332	TIG200 Electrolytic capacitor
9	10041327	Isolation transformer		10037137	TIG180 Dual voltage electrolytic capacitor
10	10021853	Quick socket	30	10006650	TIG180/ TIG 180 Dual voltage silicon bridge
11	10043469	Front Panel		10037485	TIG200 Silicon bridge board
12	10042014	Small Knob	31	10007251	TIG180/TIG180 Dual Voltage IGBT
13	10037561	Knob		10029693	TIG200 IGBT/TIG200 IGBT
14	10040688	EPC connection between hose and gas connector	32	10041361	TIG180/TIG180 Dual voltage control board
15	10040709	Hose		10041372	TIG200 Control board
16	10004684	Air socket	33	10040708	TIG180/TIG 180 Dual voltage high frequency transformer
17	10042323	Machine Cover		10041725	TIG200 High frequency transformer
18	10006474	Electric Relay	34	10041326	Arc coil
19	10006282	IRF9Z24N	35	10037431	Rectifier board
20	10006282	IRFZ24N	36	10041436	Thermal resistor
21	10037135	Driver transformer			

JT DC TIG Series DC TIG/MMA WELDING MACHINE
Order code TIG180 (JT-180 / TIG200 (JT-200)
TIG180 (JT-180DV / TIG200 (JT-200DV)

© Wilkinson Star Limited

Issue 1 January 2014

Product is subject to change without notice